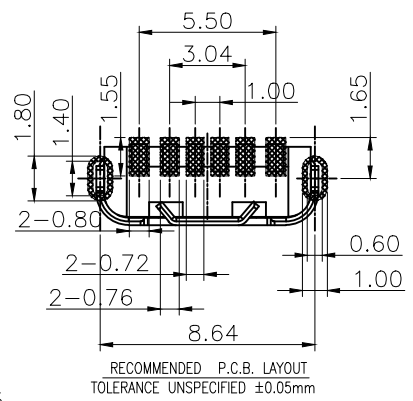
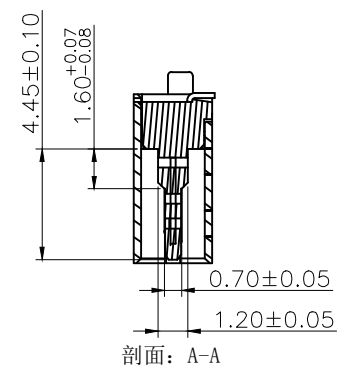
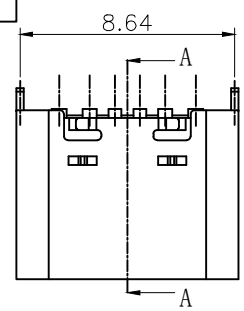
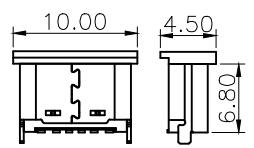
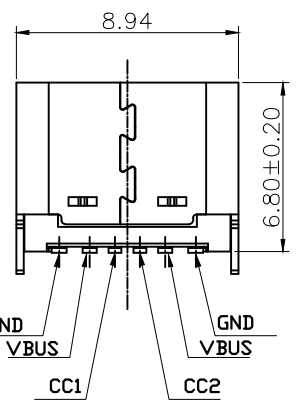
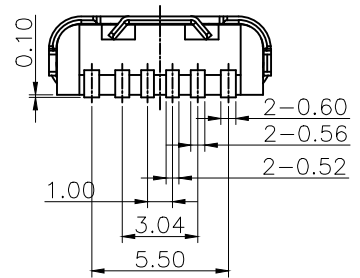
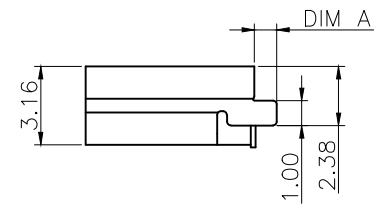
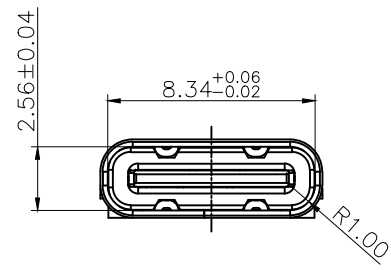


版本	发行说明	签名	日期
A	新发行	yusheng	2019.09.24

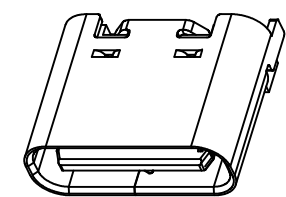
带CAP示意图



- NOTES:
- MATERIAL:
MOLDING: LCP UL94 V-0
CONTACT: COPPER ALLOY.
GOLD PLATED ON CONTACT AREA,
30u" NICKEL PLATING OVER ALL.
SHELL: STAINLESS STEEL, T=0.30±0.03mm
30u" NICKEL PLATING OVER ALL.
 - MECHANICAL:
INSERTION: 5~20N.
EXTRACTION: 8~20N AFTER TEST.
 - ELECTRICAL:
CURRENT: 3A FOR VBUS;
1.25A FOR GND PIN.
0.25A FOR OTHER.
VOLTAGE: 20 V MAX
WITHSTANDING VOLTAGE: 100V AC R.M.S.
CONTACT RESISTANCE: 40mΩ MAX.
INSULATION RESISTANCE: 100MΩ MIN.
 - ENVIRONMENTAL
TEMPERATURE RANGE -25°C ~ +85°C
 - 尺寸标注事项:
图示有标示"⊗"者为首样全检, 重点管控尺寸.
 - 产品符合RoHS标准.



规格	DIM"A"
L6.8-H0.9	0.90
L6.8-H1.5	1.50
L6.8-H2.0	2.00



B12	GND
B9	VBUS
B5	CC2
A5	CC1
A9	VBUS
A12	GND
PIN	SIGNAL NAME

尺寸	允许公差
X.	±0.50
.X	±0.20
.XX	±0.15
.XXX	±0.10
角度	±1.00°

图纸类型		图纸名称:	
产品工程图		6Pin-TYPE C-L6.8-立贴	
设计	yusheng	2019.09.24	产品料号
审核	余廷庆	2019.09.24	视图
			版号: A